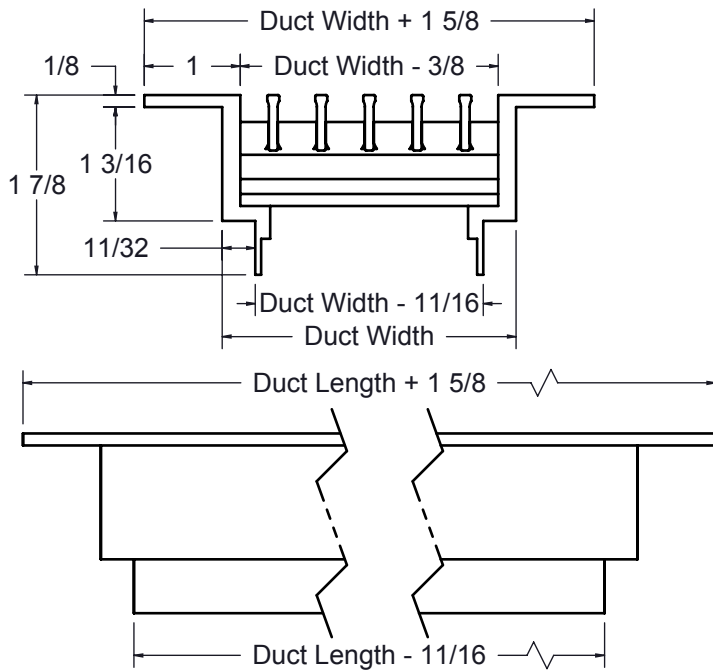


- Eight available core styles
- Extruded aluminum construction
- Core reinforcement is standard
- Size limitations are 6" x 2" minimum and 72" x 12" maximum for single piece
- Maximum 12" width for floor applications
- Sizes available in 1/2" increments
- Standard finishes available are white (WH) and mill (ML)
- Removable core
- See submittal WDLS09 for max loading



### Available Fastenings

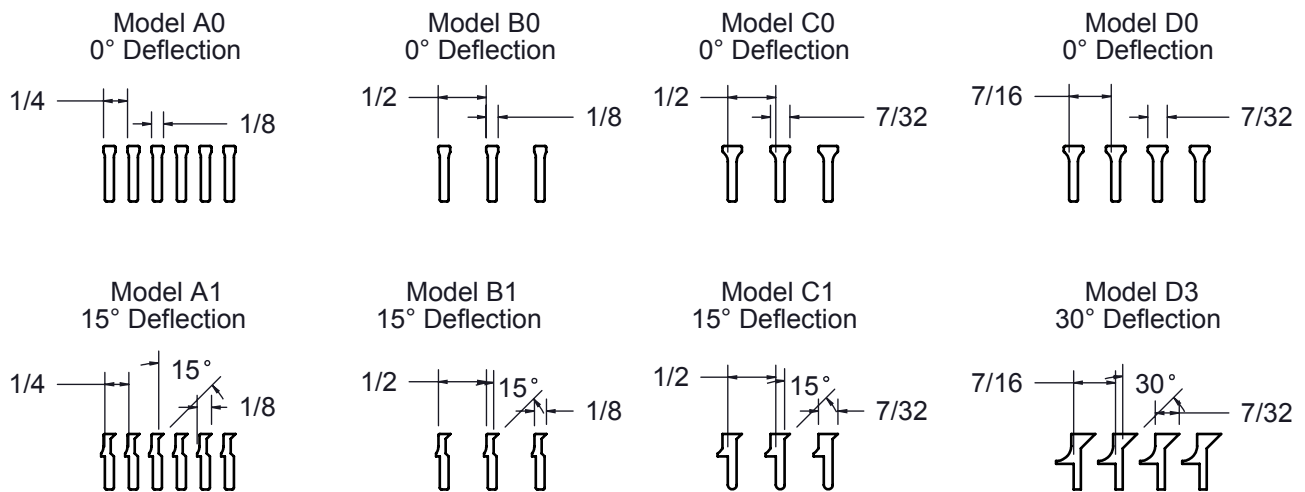
Type 9SH - Screw Holes



### Finishes

- WH - White
- ML - Mill
- AP - Aluminum Paint
- OW - Off-White
- FB - Flat Black
- MP - Match Paint
- CA - Clear Anodized

### Available Cores



Dimensions in inches

Job: \_\_\_\_\_  
 Location: \_\_\_\_\_  
 Architect: \_\_\_\_\_  
 Engineer: \_\_\_\_\_  
 Contractor: \_\_\_\_\_

Tag: \_\_\_\_\_  
 Submitted By: \_\_\_\_\_  
 WDLS08      Rev: A (06/19)

**WLFD**  
**Linear Diffuser**  
**Mounting Style 900/9SH,**  
**Heavy Duty Frame w/ 1"**  
**Flange, Floor Applications**